



# KNELSON

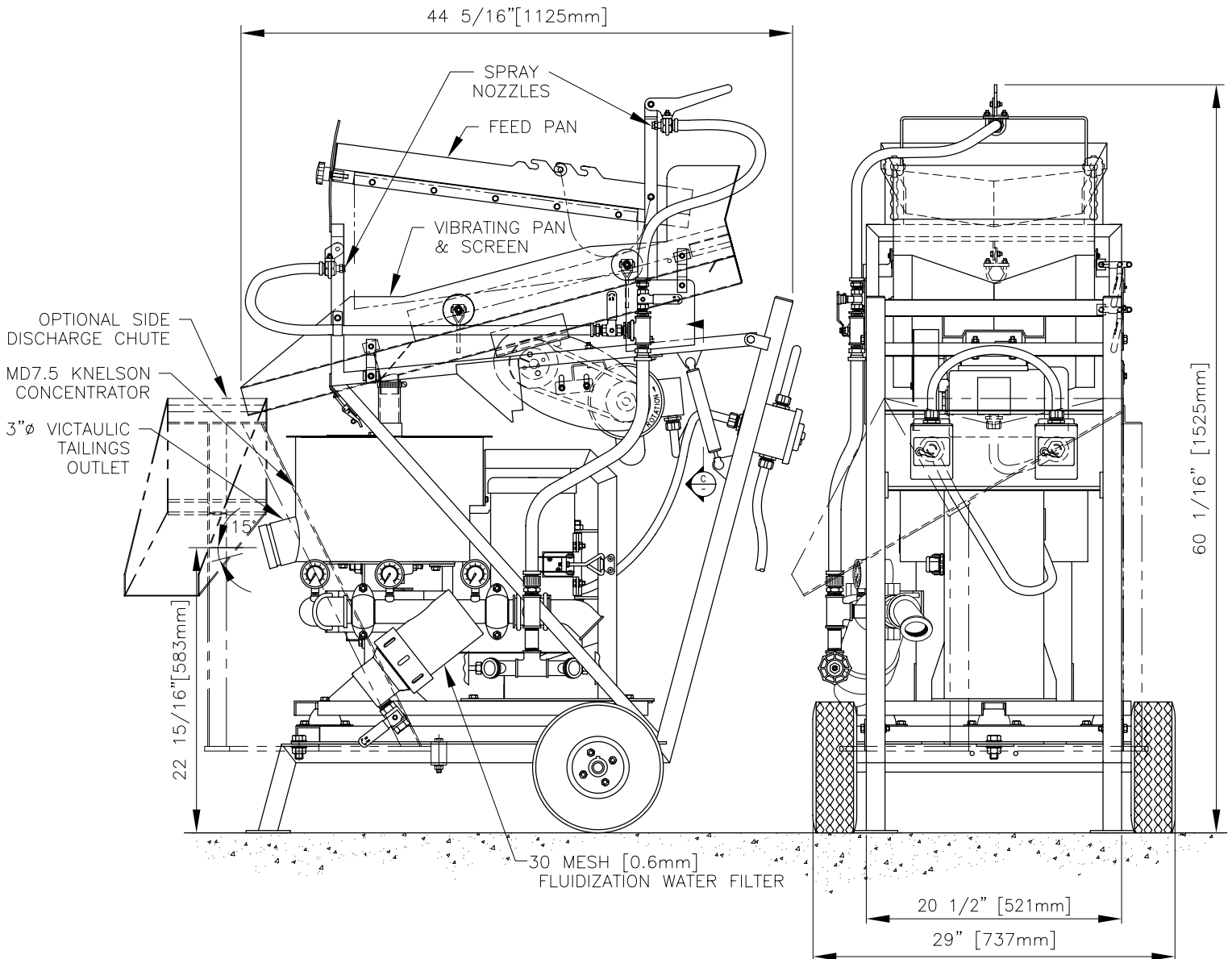
Knelson (a corporate partnership)  
 19855 - 98th. Avenue, Langley B.C. Canada, V1M 2X5  
 Phone: 604-888-4015, Fax: 604-888-4013  
 www.KnelsonGravitySolutions.com, E-Mail: knelson@knelson.com

DATE: JUN 17, 2005

DWG. No. A01528D2

## KNELSON CONCENTRATOR MODEL KC-MD7.5 c/w VIBRATING SCREEN MODEL KC-VS7.5 SPECIFICATION SHEET

- FEED CAPACITY (MAY VARY DEPENDING ON MATERIAL) - 0 - 1500 lbs/hr [0 - 680 kg/hr] SOLIDS
- TYPICAL FLUIDIZATION WATER REQUIREMENT - 12 - 18 USgpm [45 - 68 Lpm]
- FEED DENSITY - 0 - 75% SOLIDS/WEIGHT
- MAXIMUM TOTAL VOLUMETRIC THROUGHPUT - 25 USgpm [95 Lpm]
- FEED SIZE - 3/16" [4.7mm] MINUS
- TYPICAL CONCENTRATION CYCLE DURATION - HARD ROCK: 2 - 6 HOURS [PLACER: 8 - 24 HOURS]
- CONCENTRATE VOLUME - 30 in<sup>3</sup> [0.5 L]
- CONCENTRATE WEIGHT - 1.6 - 2.2 lbs [0.7 - 1.0 kg]
- CONCENTRATOR NET WEIGHT - 283 lbs [129 kg]
- VIBRATING SCREEN NET WEIGHT - 152 lbs [69 kg]
- CONCENTRATOR H.P. - 3/4 (ELECTRIC)
- VIBRATING SCREEN H.P. - 1/3 (ELECTRIC)
- APPROXIMATE SHIPPING WEIGHT - 596 lbs [271 kg]
- APPROXIMATE SHIPPING WEIGHT WITH SPARES - 620 lbs [281 kg]
- APPROXIMATE CRATED SHIPPING DIMENSIONS - LENGTH 125cm x WIDTH 92cm x HEIGHT 155cm



**NOTE:**

- SPECIFICATIONS SUBJECT TO CHANGE WITHOUT NOTICE.
- ALL PIPING TO CONCENTRATOR TO BE FLEXIBLE TO ALLOW FOR SLIGHT OSCILLATION OF UNIT DURING OPERATION.