



KNELSON

Knelson Concentrators, a corporate partnership dba Knelson
 19855 - 98th. Avenue, Langley B.C. Canada, V1M 2X5
 Phone: 604-888-4015, Fax: 604-888-4013
 www.KnelsonGravitySolutions.com, E-Mail: knelson@knelson.com

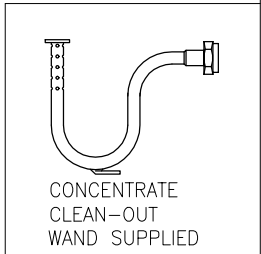
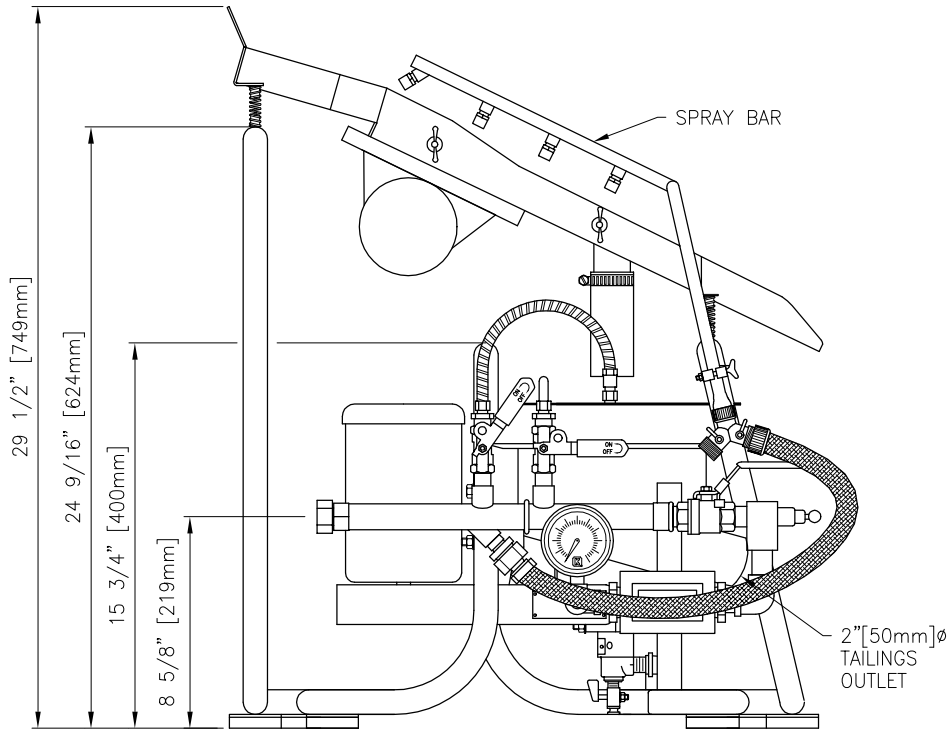
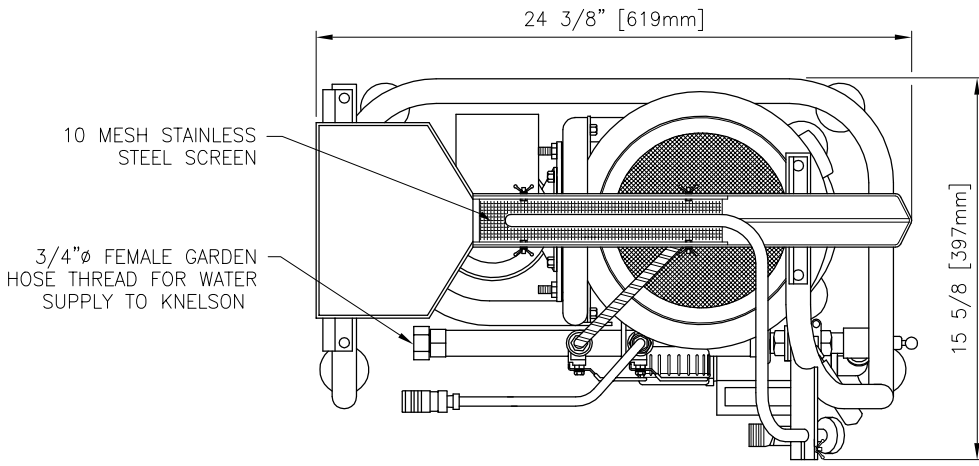
DATE: MAR 1, 2004

DWG. No. A01530D1

KNELSON CONCENTRATOR MODEL KC-MD3 c/w VIBRATING SCREEN MODEL KC-VS3 SPECIFICATION SHEET

- CONCENTRATOR FEED CAPACITY (MAY VARY DEPENDING ON MATERIAL) - 0 - 100 lbs/hr [0 - 45 kg/hr] SOLIDS
- TYPICAL FLUIDIZATION WATER REQUIREMENT - 0.2 - 1.1 USgpm [0.7 - 4.0 Lpm]
- CONCENTRATOR FEED DENSITY - 0 - 75% SOLIDS/WEIGHT
- MAXIMUM TOTAL VOLUMETRIC THROUGHPUT - 2 USgpm [8Lpm]
- CONCENTRATOR FEED SIZE - MINUS 10 MESH [1.7mm]
- CONCENTRATE VOLUME - 3.5 in³ [58 ml]
- CONCENTRATE WEIGHT - 0.18 - 0.33 lbs [80 - 150g]
- CONCENTRATOR NET WEIGHT - 56 lbs [25 kg]
- SCREEN PLANT NET WEIGHT - 26 lbs [12 kg]
- CONCENTRATOR H.P. - 1/6 (ELECTRIC)
- VIBRATING SCREEN POWER - 1.7 Amps, 3200 V.P.M.

- APPROXIMATE SHIPPING WEIGHT OF CONCENTRATOR - 89 lbs [40.5 kg]
- APPROXIMATE SHIPPING WEIGHT WITH SPARES OF CONCENTRATOR - 94 lbs [42.5 kg]
- APPROXIMATE CRATED SHIPPING DIMENSIONS OF CONCENTRATOR - LENGTH 51cm x WIDTH 65cm x HEIGHT 53cm
- APPROXIMATE SHIPPING WEIGHT OF VIBRATING SCREEN - 50 lbs [23 kg]
- APPROXIMATE CRATED SHIPPING DIMENSIONS OF VIBRATING SCREEN - LENGTH 64cm x WIDTH 44cm x HEIGHT 74cm



NOTE:
 - SPECIFICATIONS SUBJECT TO CHANGE WITHOUT NOTICE.